



Gandhinagar Institute of Technology

A Report on

“GIT Vs Covid-19 Ideathon”

(27 & 28 April 2020)

Event Overview:

Gandhinagar Institute of Technology has organized "GIT Vs Covid-19 Ideathon" to fight the pandemic of the novel corona virus under the banner of Student Startup Innovation Policy (SSIP) by Government of Gujarat. The students were asked to provide solutions for various problems occurred due to Corona virus. Total 57 teams, comprising of 116 students of different branches of engineering and management have participated in the challenge.

Objective:

The objective of the challenge is to engage the students in creative activity of brainstorming during the lockdown period and keep them active. The silent objective was to motivate the student to think the solutions for serving the society in the pandemic of corona virus.

Event Detail:

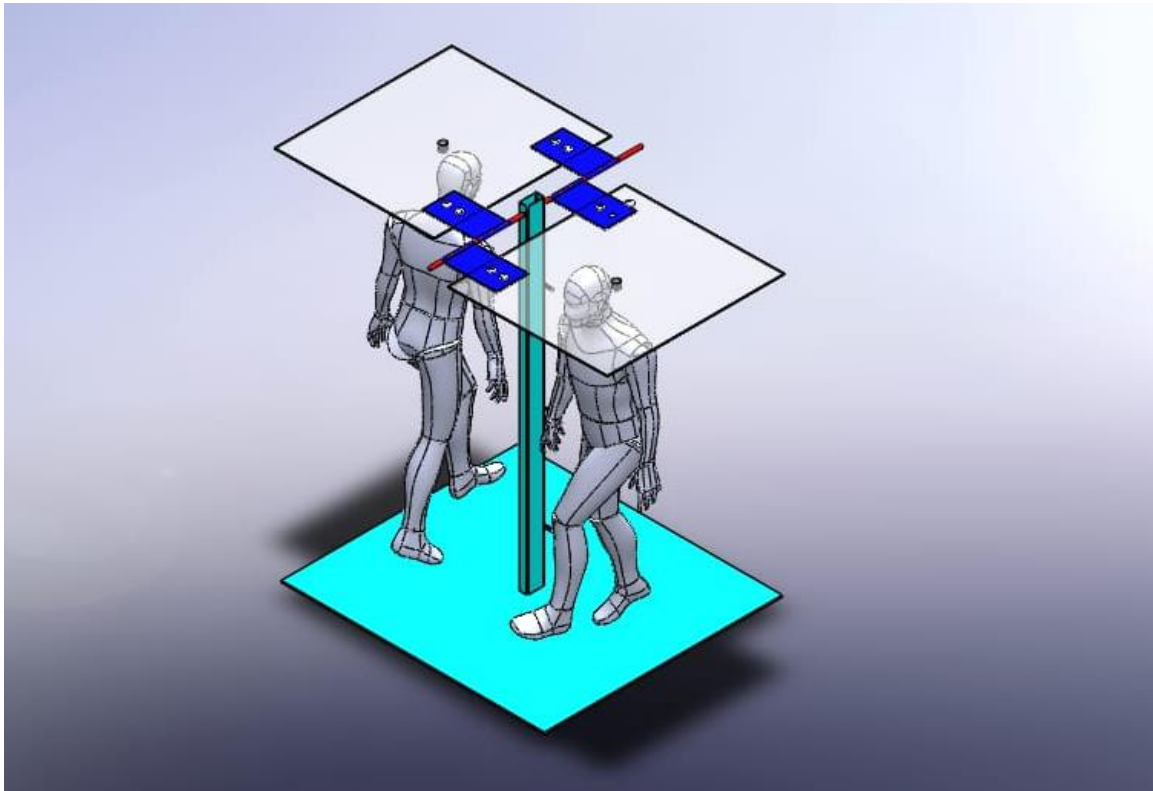
The event of “GIT Vs Covid-19 Ideathon” was announced on 18th April 2020 under coordination of Prof Nisha Khurana & Prof Mrugesh Khatri. The students were asked to solve problems to fight corona virus in five different domains like education, entrepreneurship, medical equipment, social distancing & mental health and innovation. They were provided sample problem statements to educate them which type of problem statements they can select in different categories. The students had prepared and submitted their idea in given report format till 23rd April 2020. There were 57 teams participated and submitted their ideas.

The reports submitted by participants were evaluated by panel members comprising of Head Of the Department, domain expert and department SSIP coordinator. The panel members have shortlisted top 3 teams from each category to the final round. In the final round each team have presented their idea in front of panel members which includes hackathon coordinators and Director of the Institute. The students had presented their idea using online platform of Google Meet on 27 & 28 April 2020.

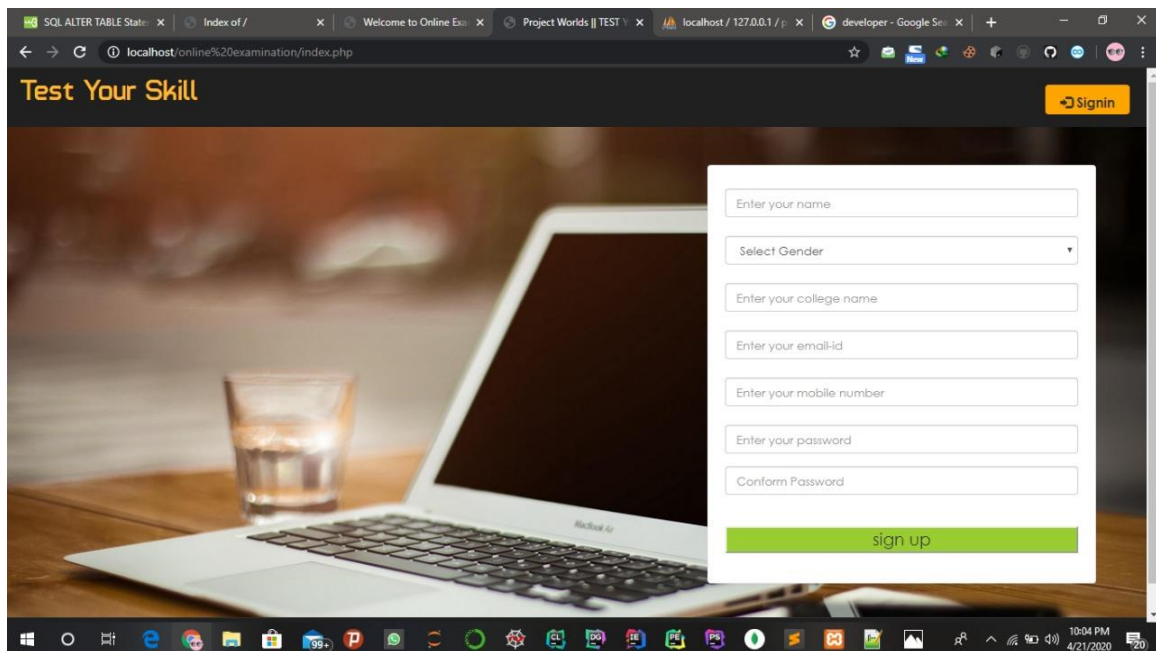
The students have prepared various solutions like cheating proof online exam platform, fake news detector, strategies to kick start business post lockdown, cheap sanitization kit, strategies to bring the farmers come out of economic crisis, plant disease monitoring platform for farmers, portable sanitization tunnel, patient health monitoring systems for hospital, social distancing belt, token system for grocery shops to maintain social distancing. These ideas were evaluated by considering the innovation involved, technology used, presentation skill, prototype or flowchart prepared and originality. The winner of each category will be awarded by prize money of Rs 10000.

The event was a grand success under the enlightenment of Dr H N Shah, Director of the institute and the participants.

Event Memories:

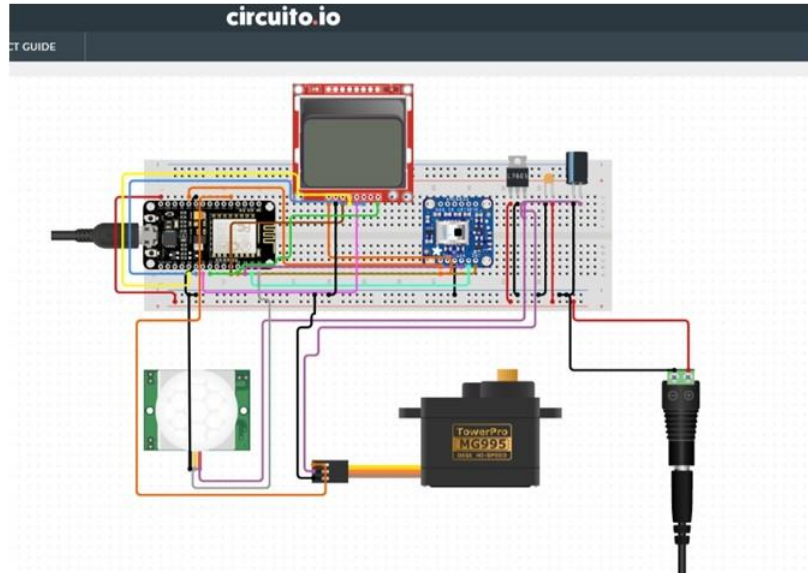


Design of Portable Sanitization Tunnel

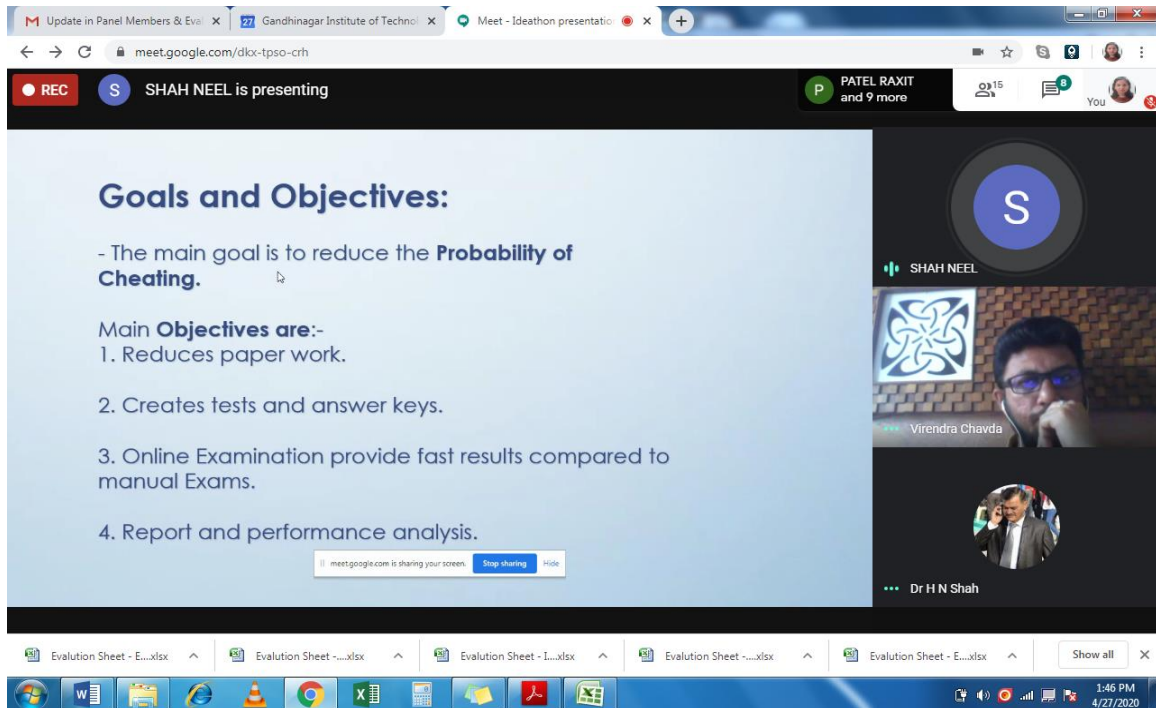


Online Examination Portal Created by Participants

Circuit Diagram



Circuit Prepared to Stop Entry of Covid-19 Suspect in Grocery Shop



Screenshot of Student Presentation on Online Examination Portal

The screenshot shows a Google Meet interface. At the top, a navigation bar indicates 'MAJITHIYA DHAVAL is presenting' and shows other participants like 'Shreya Patel and 6 more'. The main content area displays a presentation slide with the title 'Future of Fossil Fuels' on a green background. Below the slide, a BusinessLine article is visible, titled 'India's dependence on fossil fuels will continue to be high: Liv Astri Hovem'. The article includes a sub-headline 'By 2050, 65 per cent of country's energy demand will be met by fossils, while globally, fossil fuels and...' and a photo of Liv Astri Hovem. The article is dated February 13, 2020. On the right side of the Meet window, a vertical list of participants is shown, including MAJITHIYA DHAVAL, Milan Shah, and Dr H N Shah. The bottom of the screen shows a Windows taskbar with several 'Evaluation Sheet' files open and the system clock at 3:15 PM on 4/27/2020.

Screenshot of Student Presentation on Engaging Farmers in Harvesting Raw Material for Biodiesel